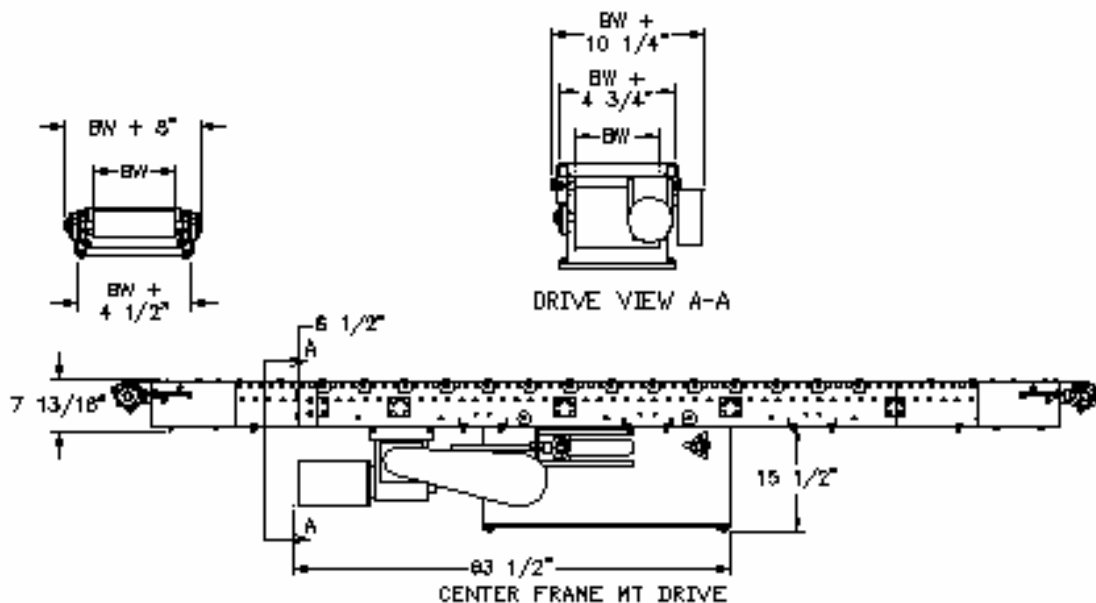


MODEL 640

CENTER FRAME MOUNT DRIVE

ROLLER BED BELT CONVEYOR

Heavy-duty, industrial-use conveyor made with a roller bed carrying surface that reduces friction to increase load-moving capacity with lower power requirements



CENTER FRAME MOUNT DRIVE

1700 Division Street, New London, WI 54961

Phone: (800) 437-1994

Fax: (920) 982-6800

www.nleco.com